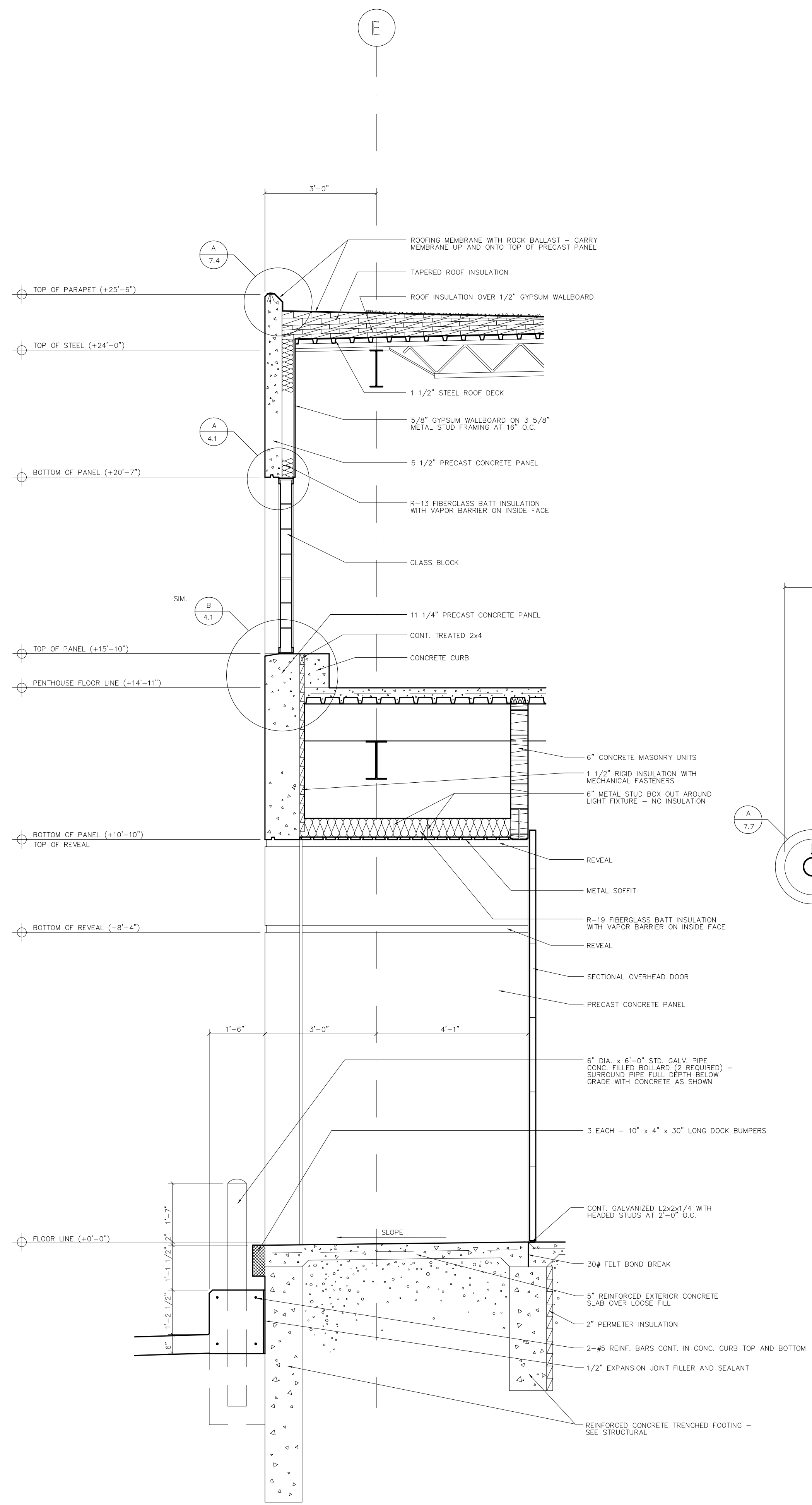
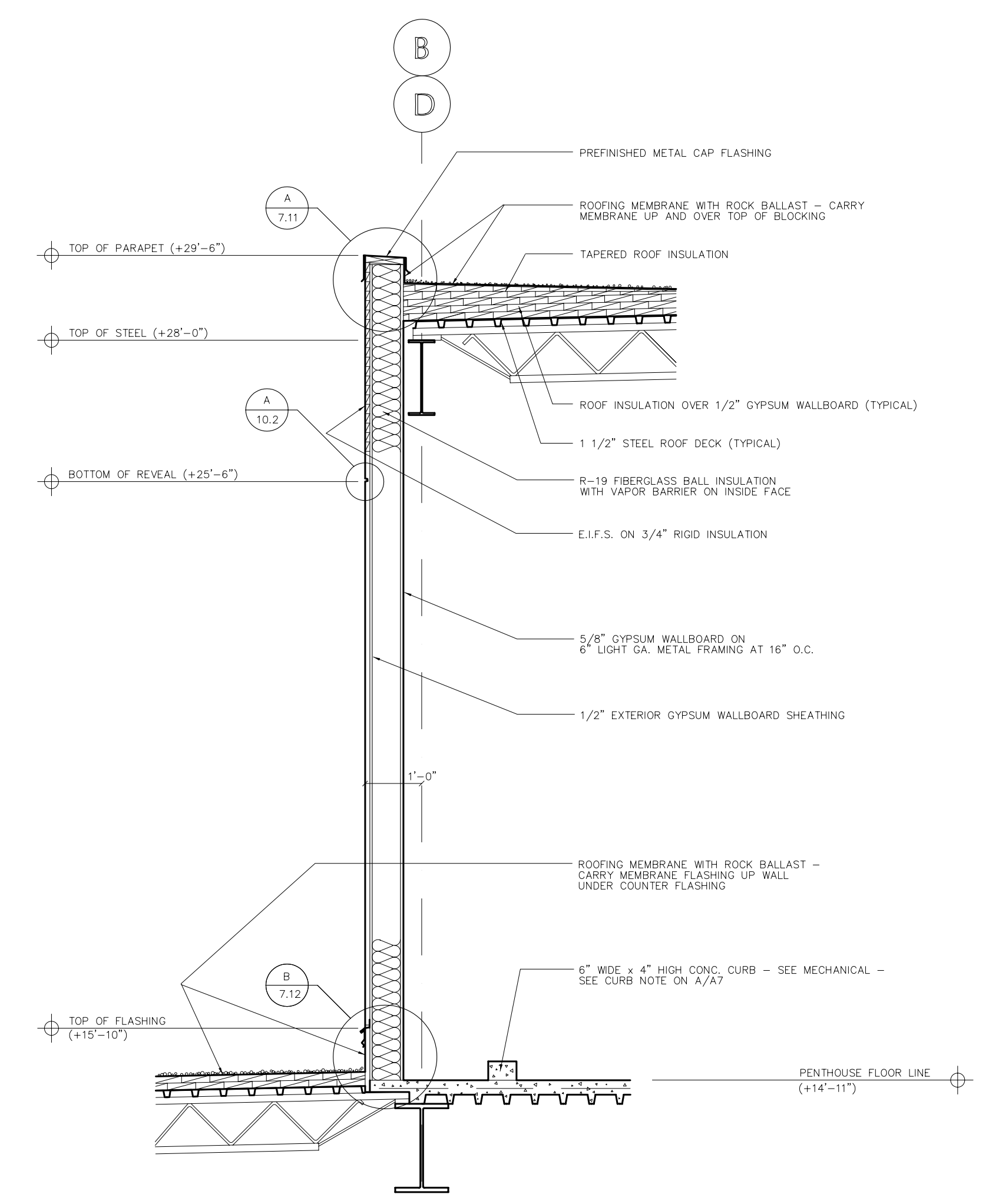


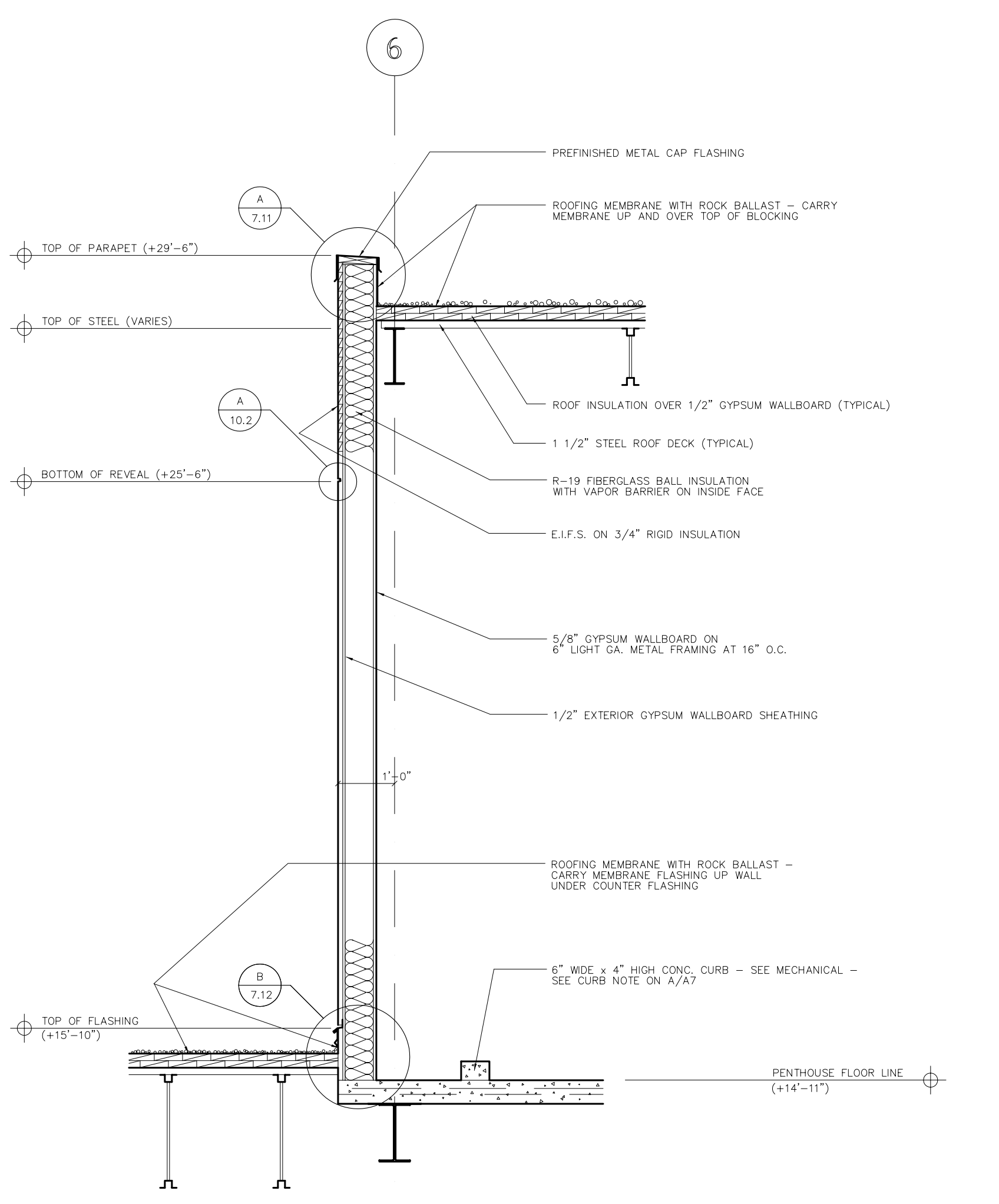
A WALL SECTION
1/2"=1'-0"



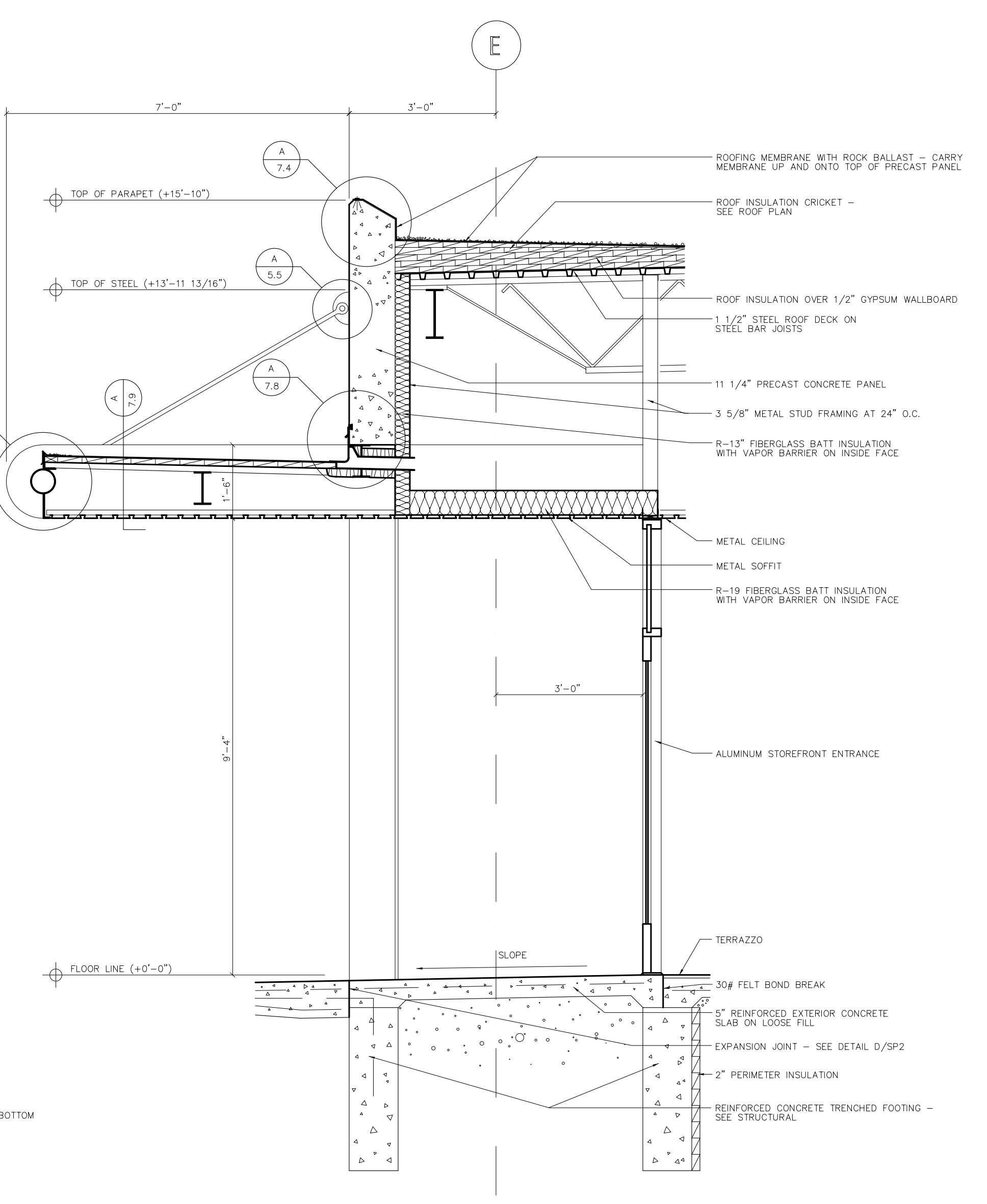
B WALL SECTION
1/2"=1'-0"



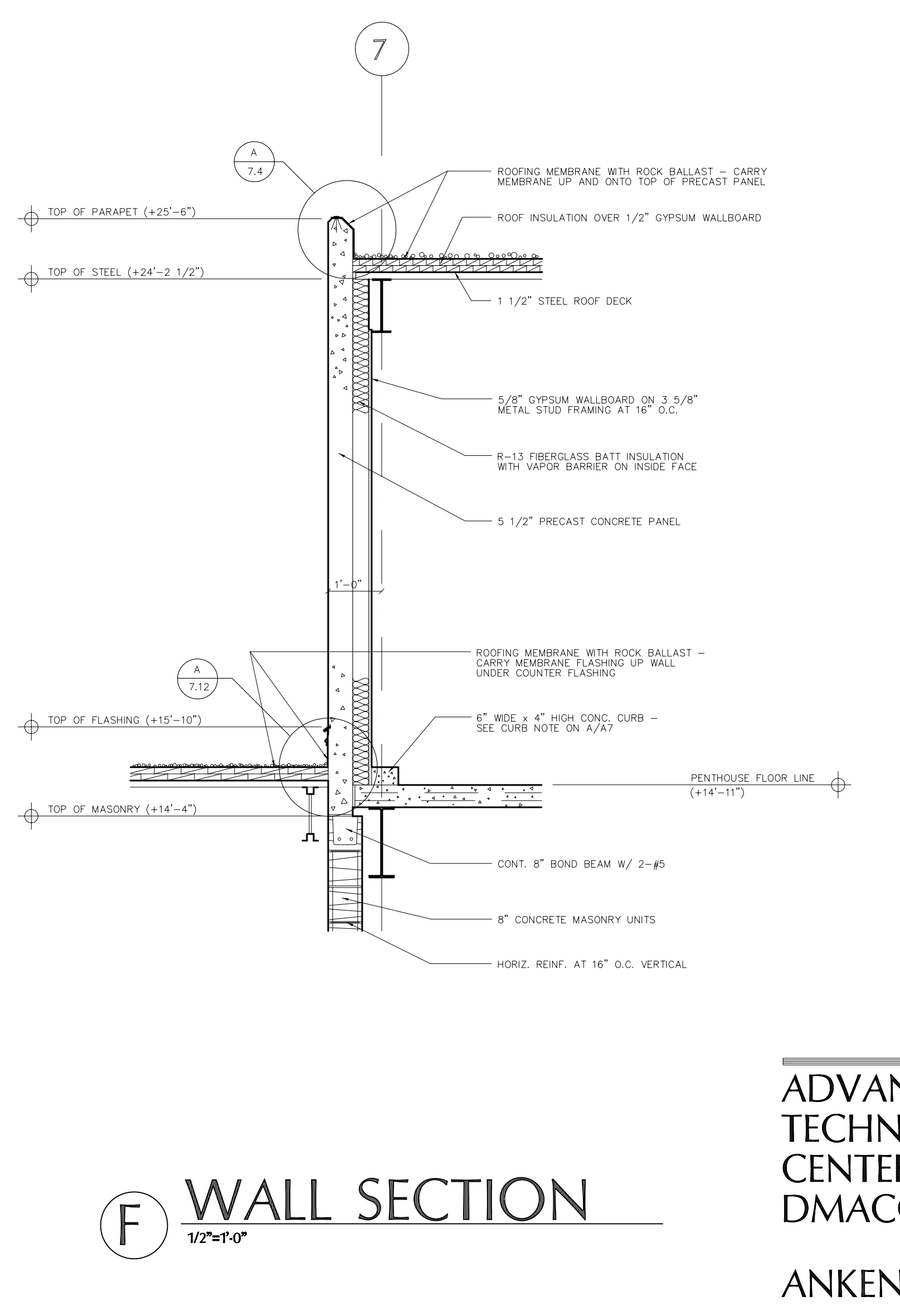
C WALL SECTION
1/2"=1'-0"



E WALL SECTION
1/2"=1'-0"



D WALL SECTION
1/2"=1'-0"



F WALL SECTION
1/2"=1'-0"

ADVANCED
TECHNOLOGY
CENTER -
DMACC
ANKENY, IOWA