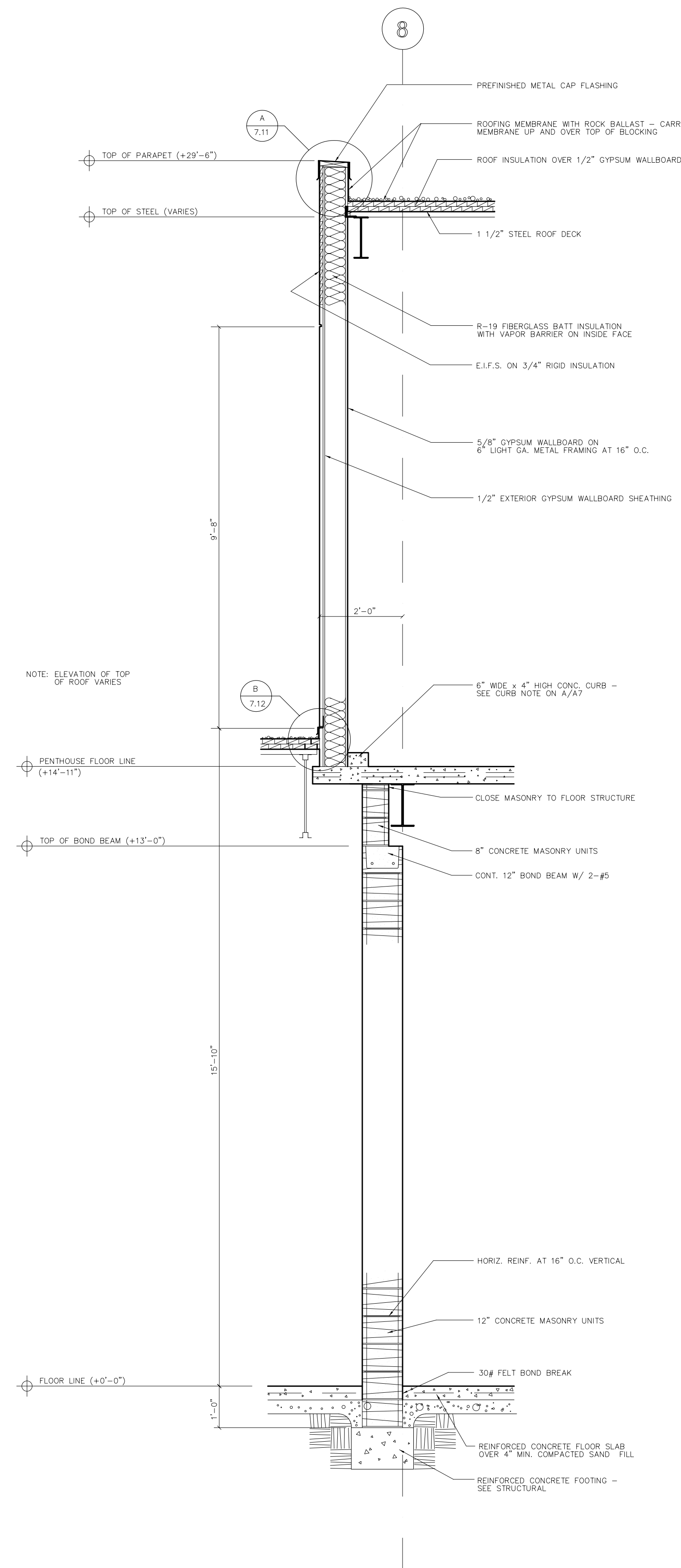
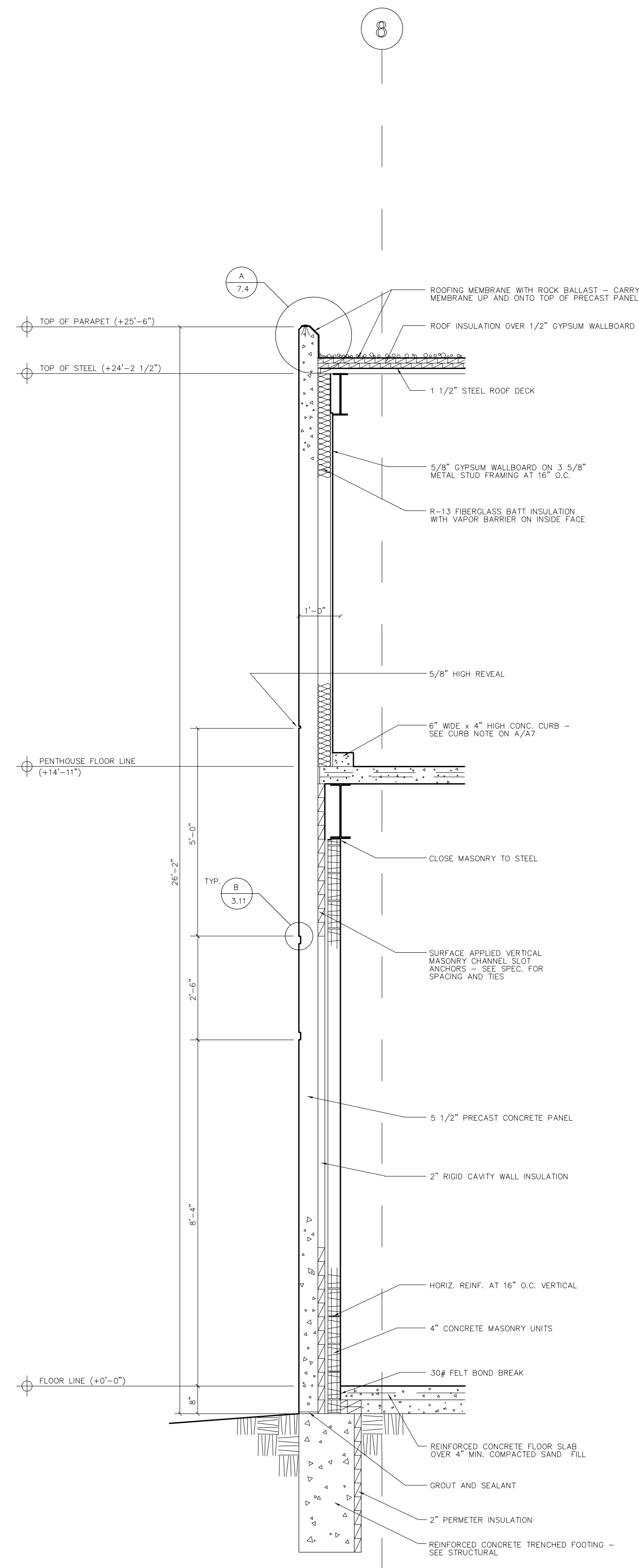


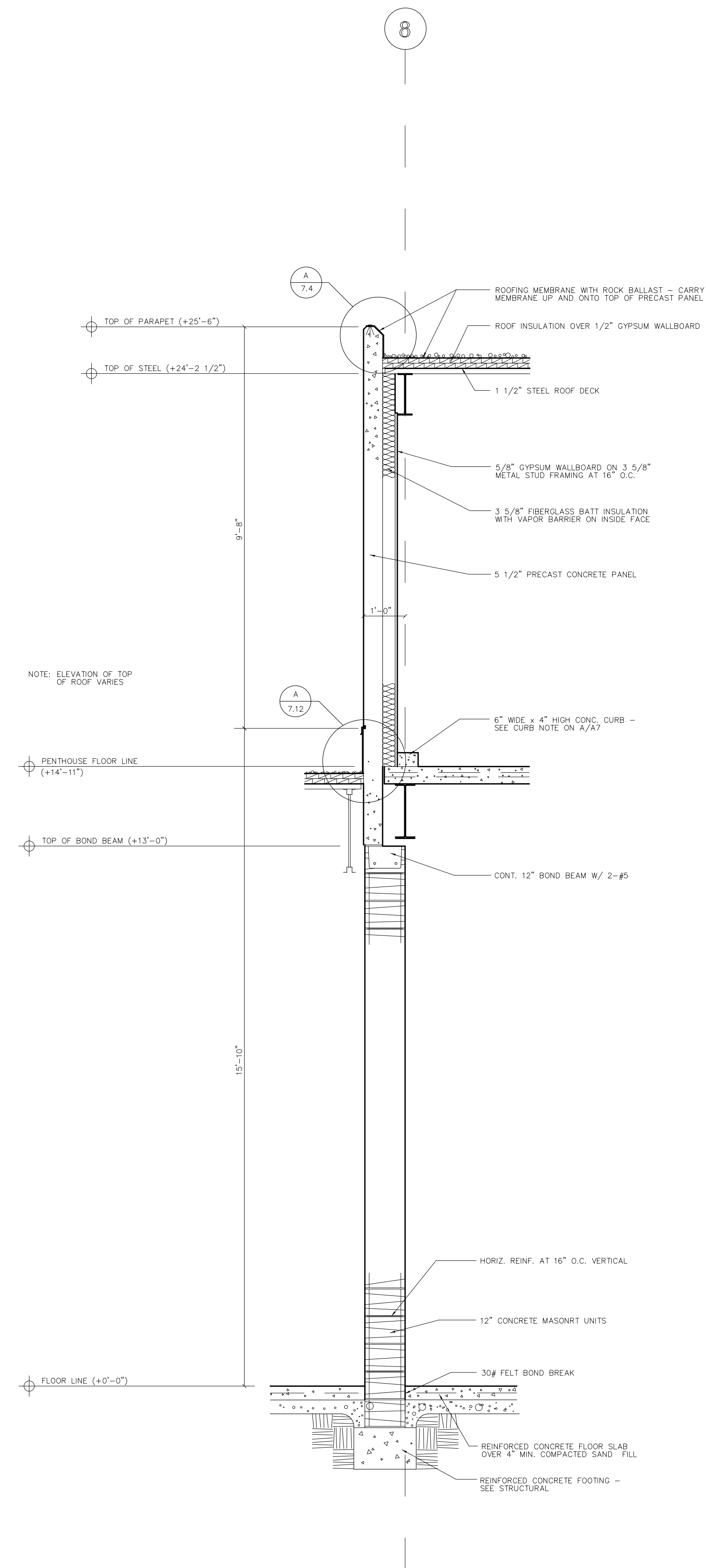
A WALL SECTION
1/2"=1'-0"



B WALL SECTION
(ALTERNATE No. 1)
1/2"=1'-0"



C WALL SECTION
1/2"=1'-0"



D WALL SECTION
(ALTERNATE No. 1)
1/2"=1'-0"