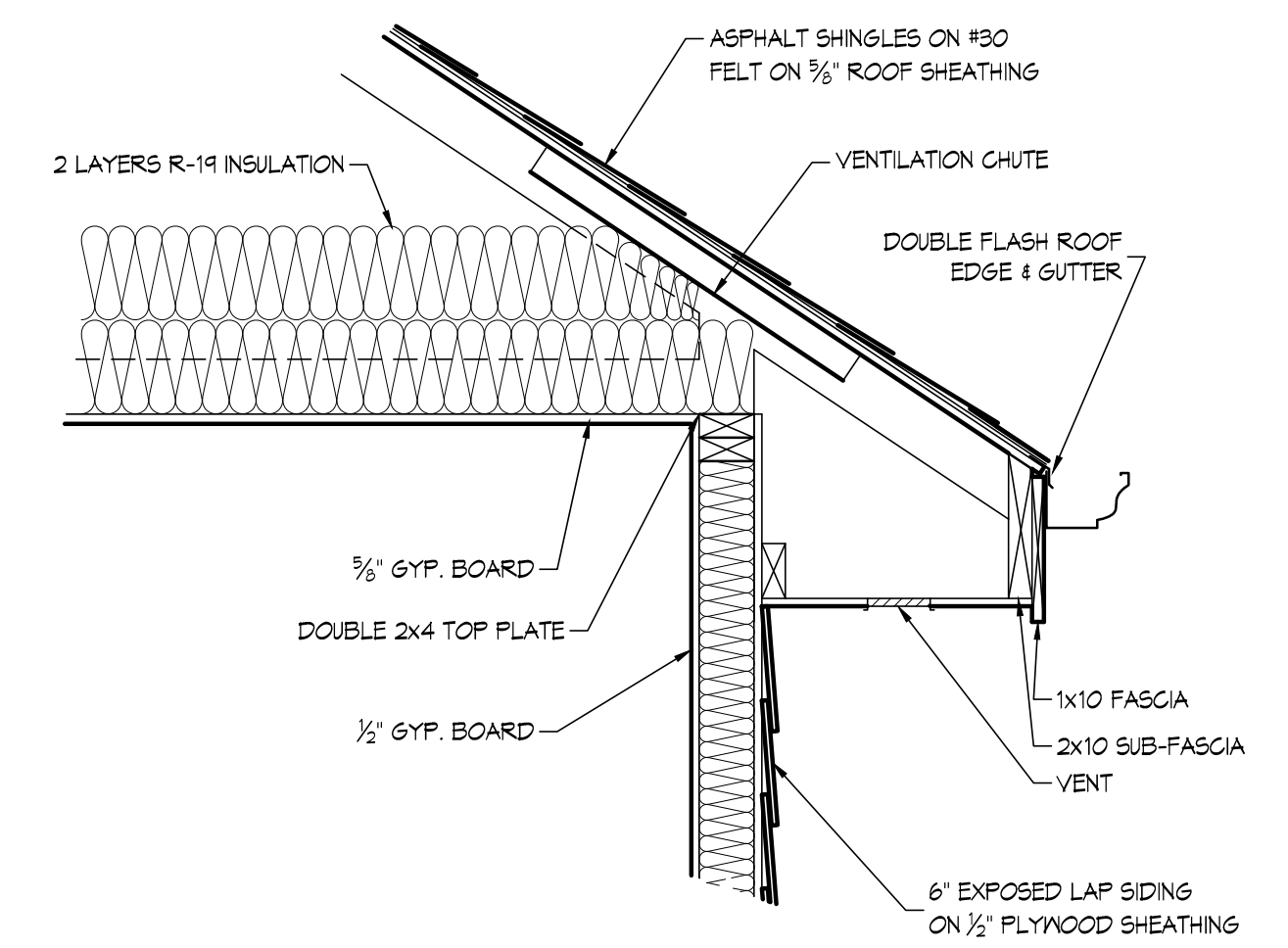
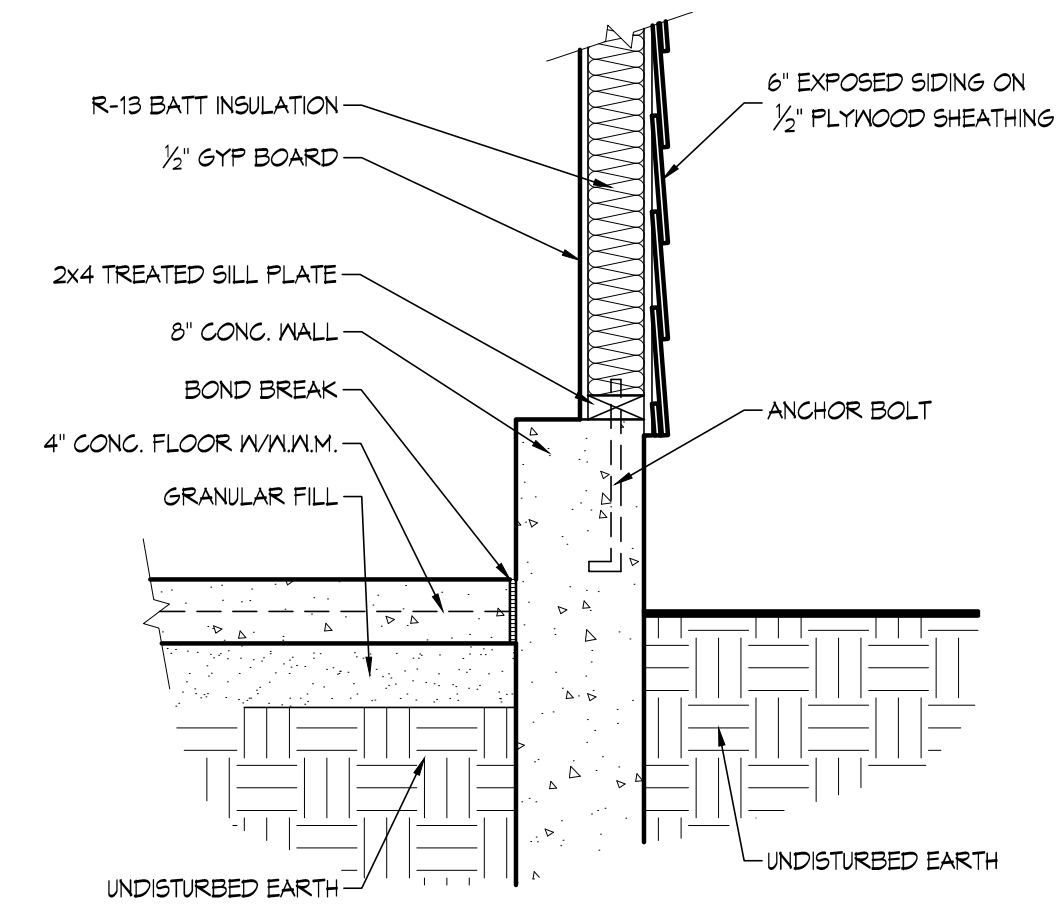


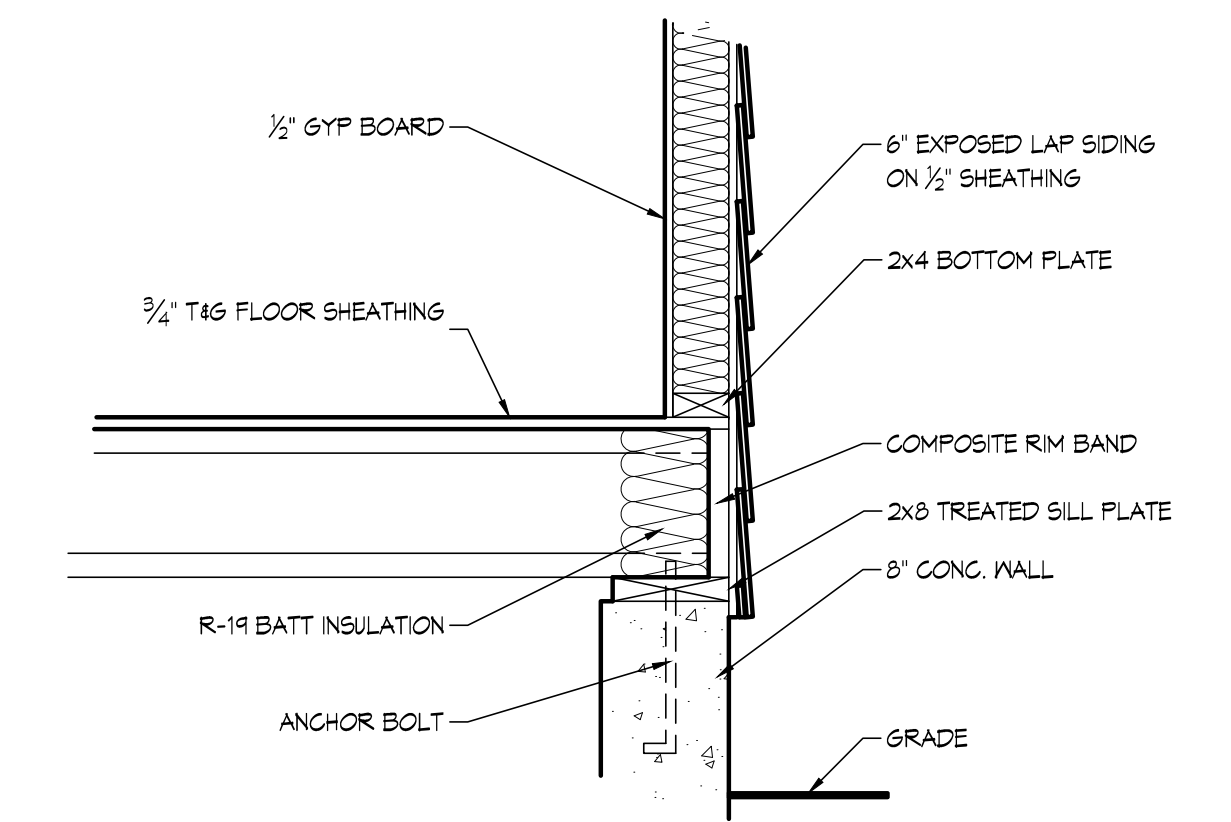
6 BRICK VENEER SILL
SCALE: 1" = 1'-0"



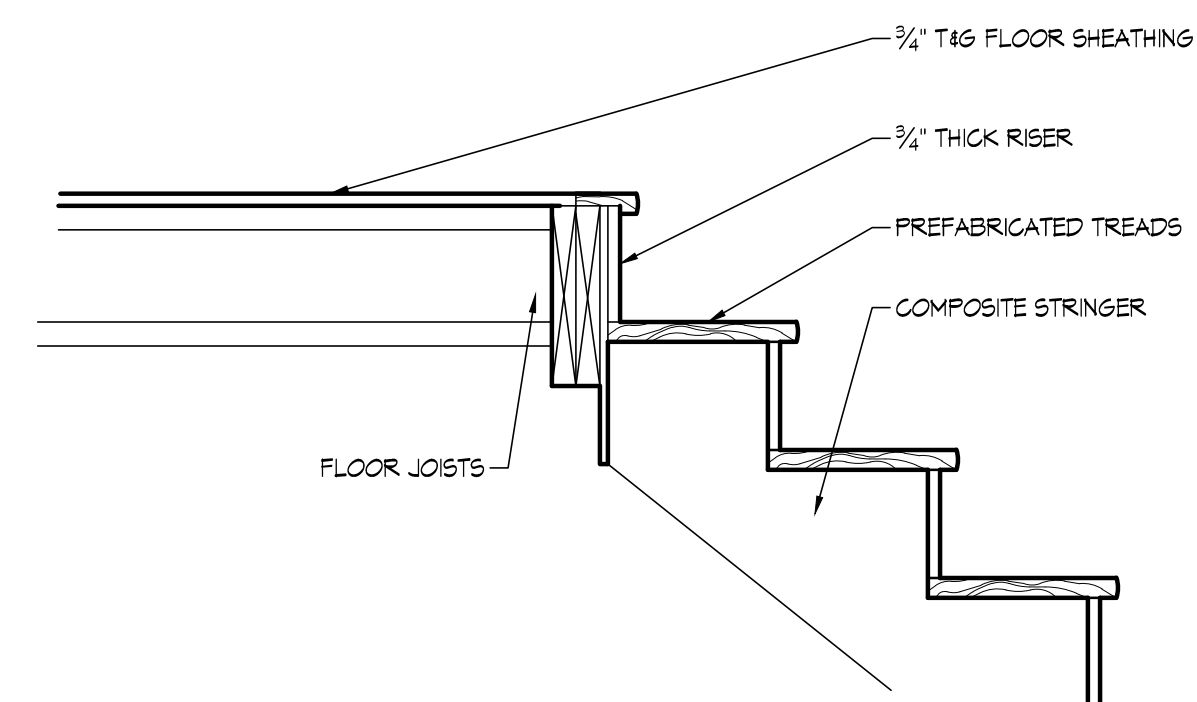
3 EAVE/CORNICE
SCALE: 1" = 1'-0"



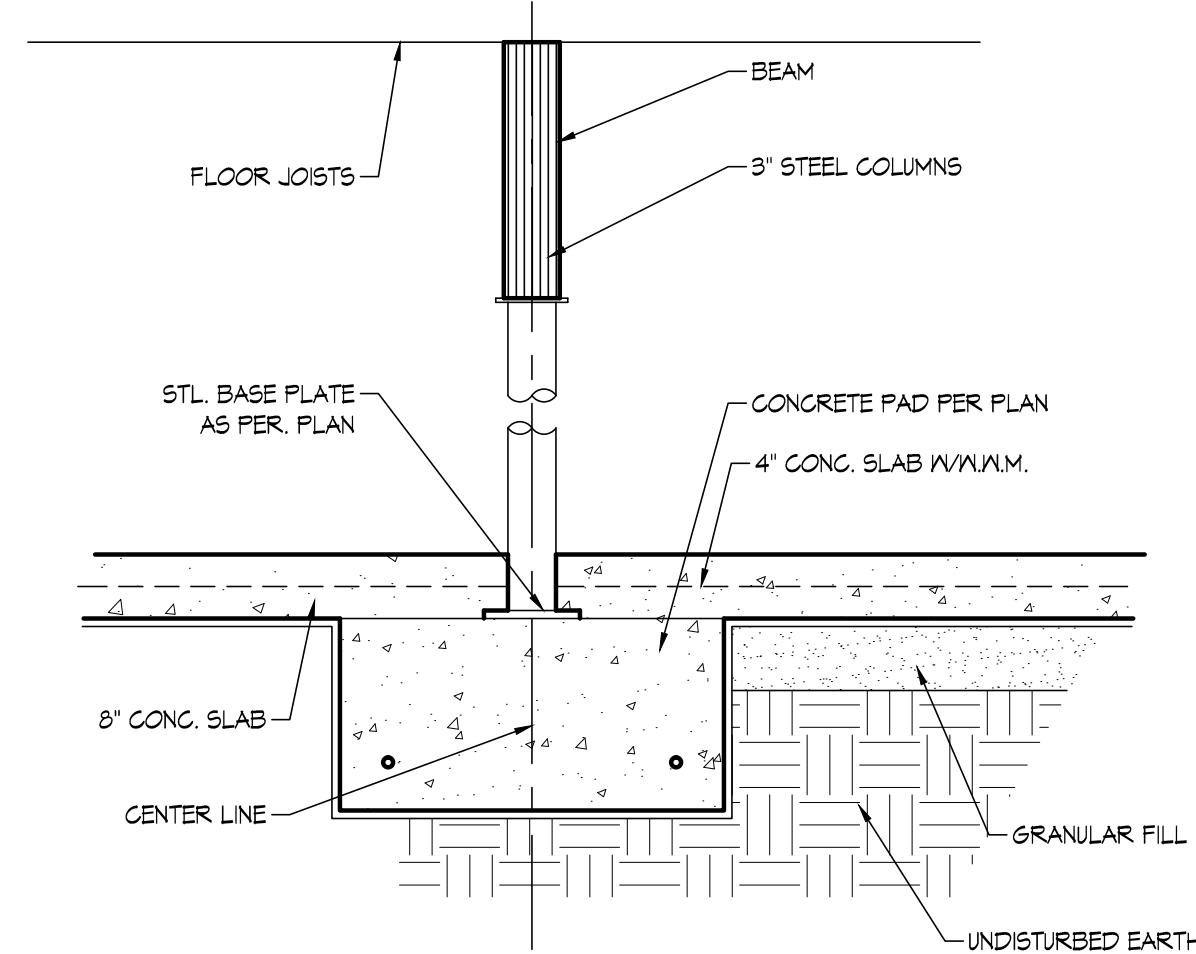
5 GARAGE STUD WALL
SCALE: 1" = 1'-0"



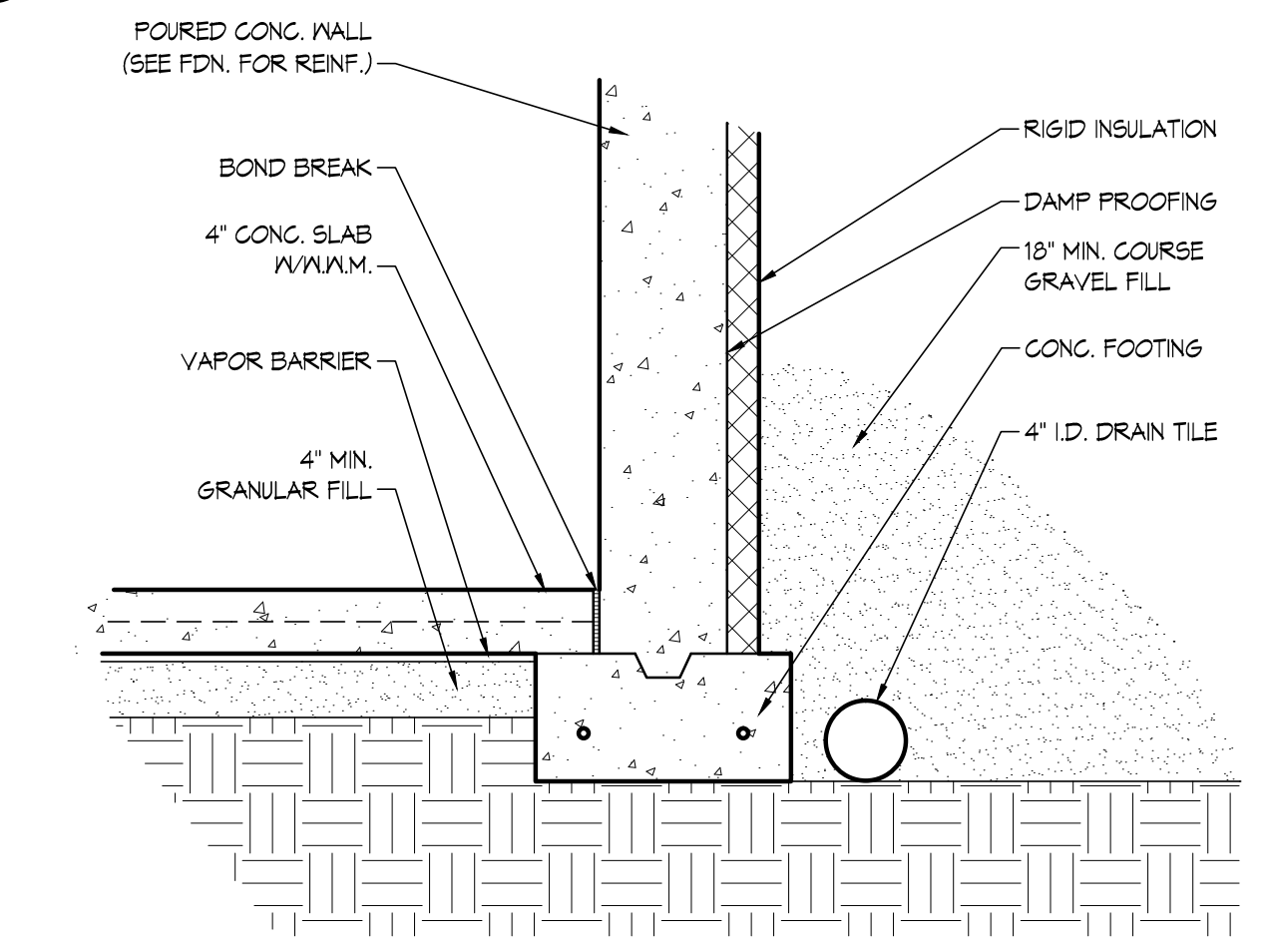
2 STUD WALL AND SILL
SCALE: 1" = 1'-0"



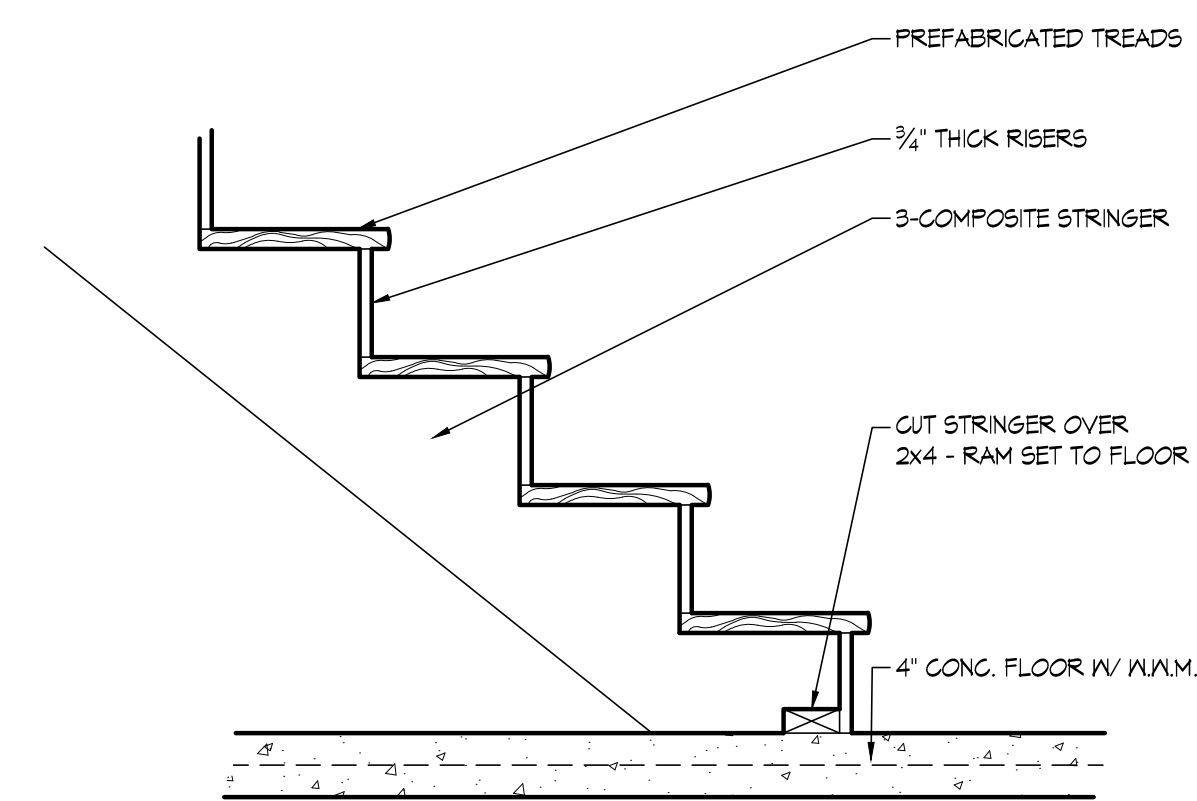
8 STAIR @ MAIN FLOOR
SCALE: 1" = 1'-0"



4 COLUMN/BEAM AND PAD
SCALE: 1" = 1'-0"



1 FOUNDATION WALL/SLAB/FOOTING
SCALE: 1" = 1'-0"



7 STAIR @ BASEMENT FLOOR
SCALE: 1" = 1'-0"